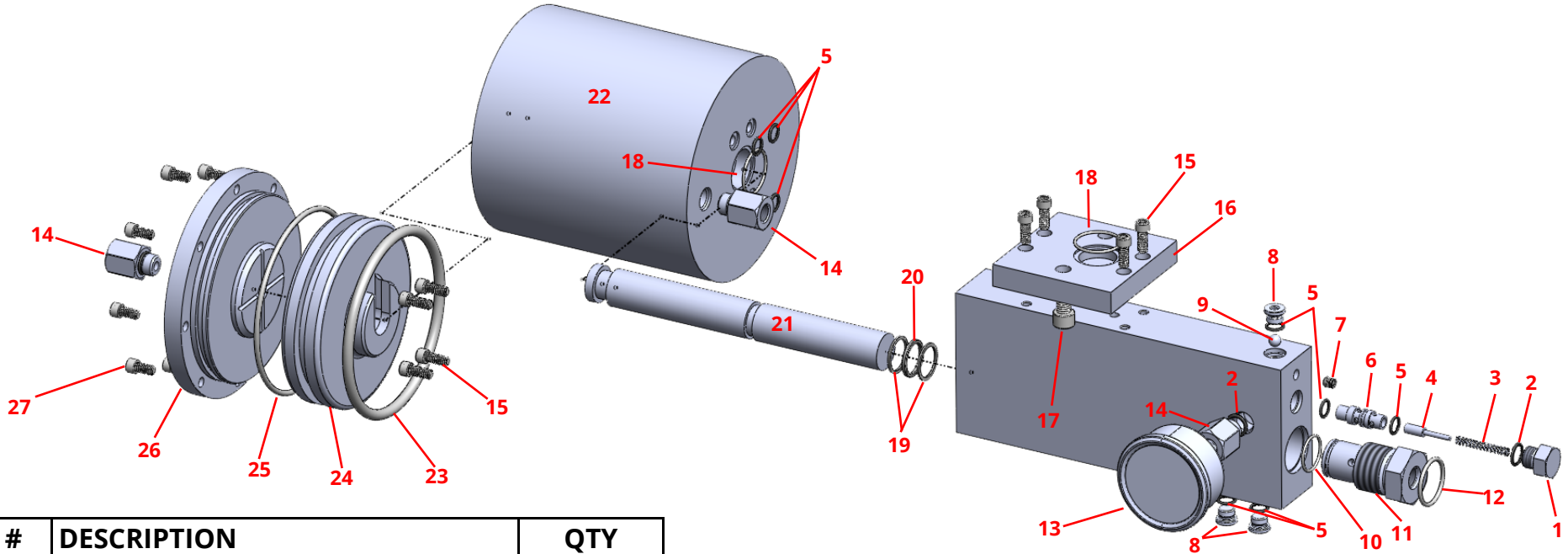


LMAG ASSEMBLY INSTRUCTIONS



#	DESCRIPTION	QTY	#	DESCRIPTION	QTY
1	VENT SLEEVE RETAINER	1	15	1/4-28 X 5/8 SOCKET HEAD CAP SCREW	8
2	-906 VITON ORING	4	16	ADAPTER PLATE	1
3	VENT PISTON SPRING	1	17	3/8 - 16 X 5/8 SOCKET HEAD CAP SCREW	2
4	VENT PISTON	1	18	-024 VITON O-RING	2
5	-012 VITON O-RING	7	19	BACK UP RING	2
6	VENT SLEEVE	1	20	QUAD RING	1
7	KOENIG	1	21	LUBE PISTON	1
8	PLUG	3	22	CYLINDER	1
9	5/16" 316 SS BALL	1	23	-426 VITON O-RING	1
10	-020 VITON O-RING	1	24	PNEUMATIC PISTON	1
11	OUTLET ADAPTER	1	25	-248 VITON O-RING	1
12	-122 VITON O-RING	1	26	END CAP	1
13	GAUGE	1	27	1/4 - 20 X 1/2 SOCKET HEAD CAP SCREW	8
14	9/16-18 X 1/4 NPSF ADAPTER	3			